

User Guide

Embedded USB Type-A Adapter (AD5PUSBA)

www.addonics.com

v7.1.11

Technical Support

If you need any assistance to get your unit functioning properly, please have your product information ready and contact Addonics Technical Support at:

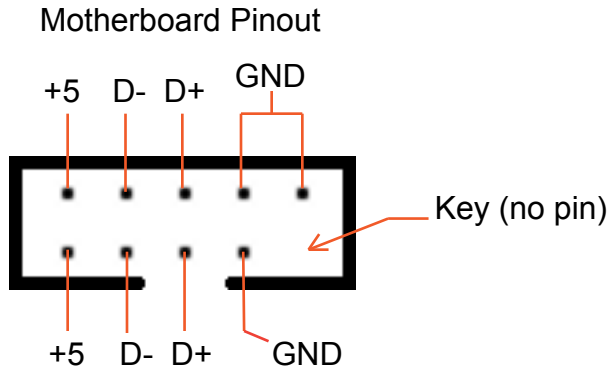
Hours: 8:30 am - 6:00 pm PST

Phone: 408-453-6212

Email: <http://www.addonics.com/support/query/>

Installation

1. Shut down the computer.
2. Confirm the pinout on the motherboard's connector matches as shown. Refer to the motherboard's user guide for details.
3. Connect USB cables or devices to the adapter.
4. Carefully connect the adapter to the motherboard, making sure pin alignment and orientation are correct before powering up the computer.



CONTACT US

www.addonics.com

Phone: 408-573-8580

Fax: 408-573-8588

Email: <http://www.addonics.com/sales/query/>